

# ZMM Series

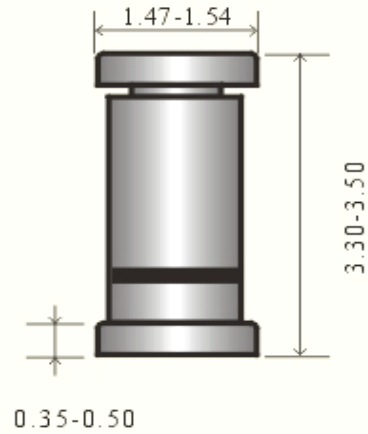
**LL-34 GLASS**
**LL-34( MINI-Melf) 玻封稳压二极管**
**LL-34 (MINI-Melf)Glass Zener Diode**

## Features

- Low Reverse Leakage
- Low Zener Impedance
- 500mW; Power Dissipation of 500mW
- High Stability and High Reliability

## Mechanical Data

- Case: LL34 Glass Case
- Polarity: Color band denotes cathode end
- Mounting Position: Any



Unit: mm

## Maximum Ratings & Thermal Characteristics (Ratings at 25°C ambient temperature unless otherwise specified.) (TA = 25°C 除非另有规定)

Parameters	符号 Symbol	数值 Value	单位 Unit
Power Dissipation	Pd	500 <sup>1)</sup>	mW
Operating junction temperature	Tj	175	°C
Storage temperature range	Ts	-55-+175	°C

1) Valid provided that leads are kept at ambient temperature at a distance of 8mm from case

## Electrical Characteristics (Ratings at 25°C ambient temperature unless otherwise specified). (TA = 25°C 除非另有规定)

TYPE	Zener Voltage			Reverse Current		Dynamic Resistance	
	Vz(V)		Test Condition	IR(μA)	Test Condition	rd(Ω)	Test Condition
	MIN	MAX	Iz(mA)	Max.	VR(V)	Max.	Iz(mA)
ZMM 2V0	1.80	2.15	5.0	100	1.0	85	5.0
ZMM 2V2	2.08	2.33	5.0	75	1.0	85	5.0
ZMM 2V4	2.28	2.56	5.0	50	1.0	85	5.0
ZMM 2V7	2.50	2.90	5.0	10	1.0	85	5.0
ZMM 3V0	2.80	3.20	5.0	4	1.0	85	5.0
ZMM 3V3	3.10	3.50	5.0	2	1.0	85	5.0
ZMM 3V6	3.4	3.8	5.0	2	1.0	85	5.0
ZMM 3V9	3.7	4.1	5.0	2	1.0	85	5.0
ZMM 4V3	4	4.6	5.0	1	1.0	75	5.0
ZMM 4V7	4.4	5	5.0	0.5	1.0	60	5.0
ZMM 5V1	4.8	5.4	5.0	0.1	1.0	35	5.0
ZMM 5V6	5.2	6	5.0	0.1	1.0	25	5.0
ZMM 6V2	5.8	6.6	5.0	0.1	2.0	10	5.0
ZMM 6V8	6.4	7.2	5.0	0.1	3.0	8	5.0
ZMM 7V5	7	7.9	5.0	0.1	5.0	7	5.0
ZMM 8V2	7.7	8.7	5.0	0.1	6.2	7	5.0
ZMM 9V1	8.5	9.6	5.0	0.1	6.8	10	5.0

## ZMM Series

TYPE	Zener Voltage			Reverse Current		Dynamic Resistance	
	Vz(V)		Test Condition	IR(μA)	Test Condition	rd(Ω)	Test Condition
	MIN	MAX	Iz(mA)	Max.	VR(V)	Max.	Iz(mA)
ZMM10	9.4	10.6	5.0	0.1	7.5	15	5.0
ZMM11	10.4	11.6	5.0	0.1	8.2	20	5.0
ZMM12	11.4	12.7	5.0	0.1	9.1	20	5.0
ZMM13	12.4	14.1	5.0	0.1	10.0	26	5.0
ZMM14	13.3	14.7	5.0	0.1	10.0	26	5.0
ZMM15	13.8	15.6	5.0	0.1	11.0	30	5.0
ZMM16	15.3	17.1	5.0	0.1	12.0	40	5.0
ZMM18	16.8	19.1	5.0	0.1	13.0	50	5.0
ZMM20	18.8	21.2	5.0	0.1	15.0	55	5.0
ZMM22	20.8	23.3	5.0	0.1	16.0	55	5.0
ZMM24	22.8	25.6	5.0	0.1	18.0	80	5.0
ZMM27	25.1	28.9	5.0	0.1	20.0	80	5.0
ZMM30	28	32	5.0	0.1	22.0	80	5.0
ZMM33	31	35	5.0	0.1	24.0	80	5.0
ZMM36	34	38	5.0	0.1	27.0	80	5.0
ZMM39	37	41	2.5	0.1	30.0	90	2.5

**Notes:**

- 1) Tested with pulses  $t_p=20\text{ms}$
- 2)  $V_F(\text{MAX})=1.20\text{V}@I_F=100\text{Ma}$
- 3) The Zener voltages are graded according to the international E 24 standard .Smaller voltage tolerances and higher Zener voltages are upon request
- 4) These diodes are also available in DO-35 case with the type designation BZX55C....